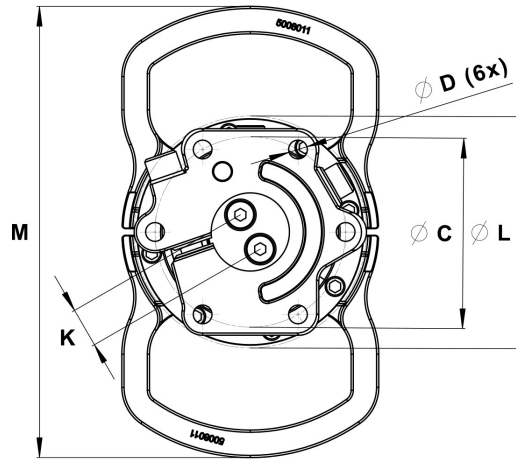
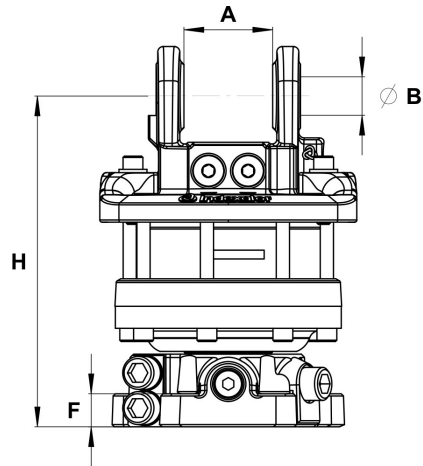
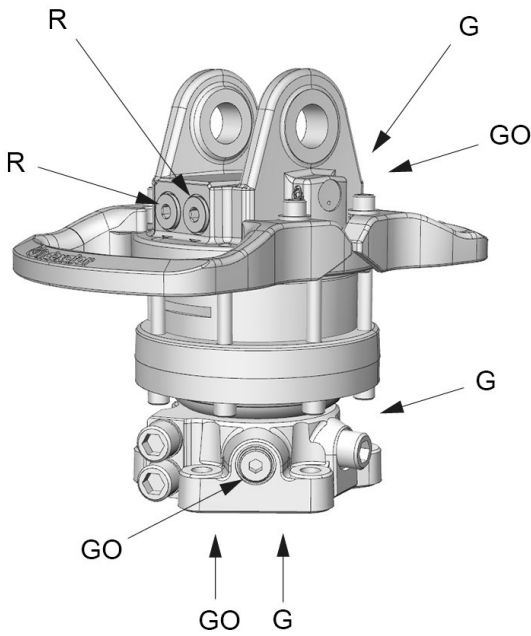











GV 6-2

Part No.: 5006167



Upper connection	Lower connection
G 1/2	G 1/2

A: 80,5 mm	B: Ø35 mm	C: Ø173 mm	D: Ø17 mm	F: 30 mm	H: 300 mm	K: 36 mm	L: Ø231 mm	M: 410 mm
---------------	--------------	---------------	--------------	-------------	--------------	-------------	---------------	--------------

								
48.5 kg	360°	60 kN	25 kN	1400 Nm	25 l/min	20 MPa	20 MPa	30 MPa

Adapter sets are available for alternative connections.

For further technical information relating to integration and hydraulic connections, please contact rotator@indexator.com