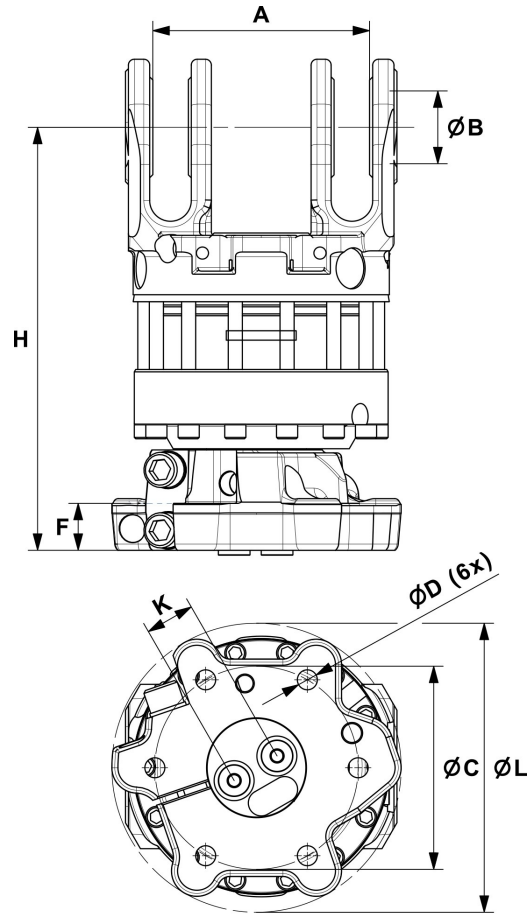
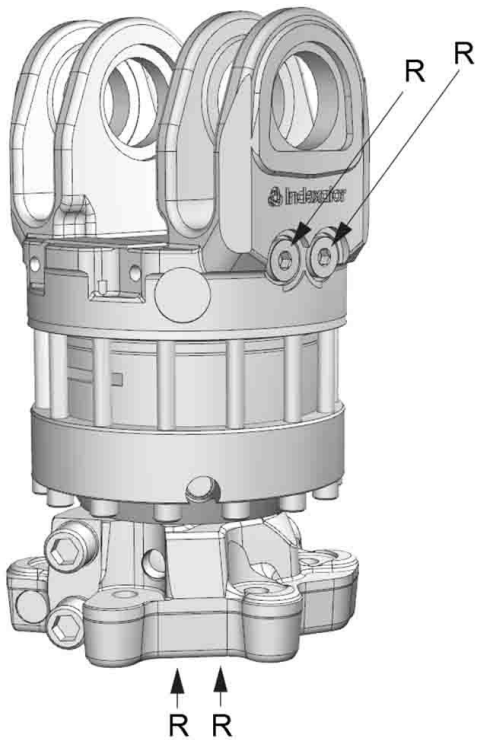


H 182 A LS

Part No.: 7140002



Upper connection	Lower connection
G 1/2	G 1/2

A: MPB2	B: MPB	C: Ø173 mm	D: Ø17 mm	F: 40 mm	H: 360 mm	K: 42 mm	L: Ø248 mm
------------	-----------	---------------	--------------	-------------	--------------	-------------	---------------

 65.2 kg	 360°	 Max 160 kN	 Max 50 kN	 Max 3300 Nm	 Max 35 l/min	 Max 25 MPa
--	---	--	---	--	--	--

A rotator with the shortening LS is not equipped with restrictors (unlike our standard rotators). This means that the oil flow from the base machine has to be adapted.

Rotator suitable for MPB swing dampers.

Rotator with only axial connections for a grapple function.

Adapter sets are available for alternative connections.

For further technical information relating to integration and hydraulic connections, please contact rotator@indexator.com